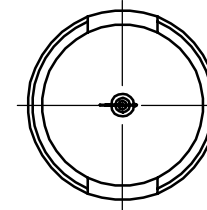
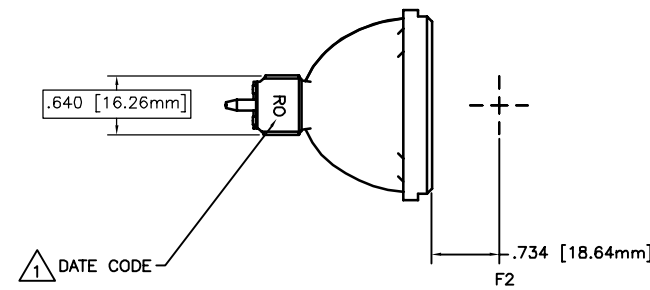
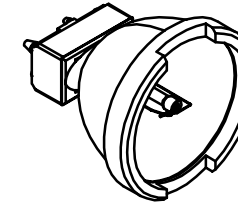
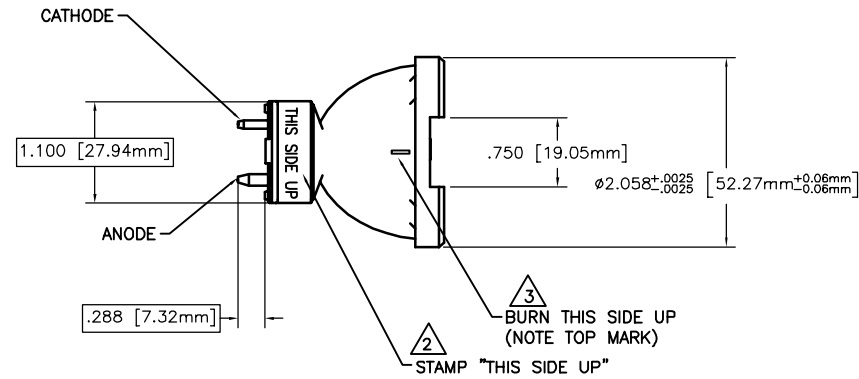
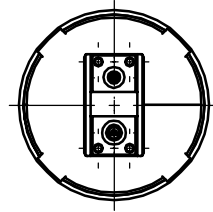


THESE DRAWINGS AND SPECIFICATIONS ARE THE PROPERTY OF WELCH ALLYN, INC. AND SHALL NOT BE REPRODUCED, OR COPIED, OR USED AS A BASIS FOR MANUFACTURE OR SALE OF EQUIPMENT OR DEVICES WITHOUT WRITTEN PERMISSION.

REV.	REVISION DESCRIPTION	ECN	INIT	DATE	APPROVAL
A	RELEASE TO PRODUCTION	0-689	PMB	11/27/00	D. RUTAN
B	UPDATE DOCUMENTATION	0-737	BJT	04/02/01	D. RUTAN
C	DRAWING UPDATE	0-890	APV	1/31/01	D. RUTAN
D	REMOVED NOTE 4 AND SPECS	1002056	CJR	13SEP04	DAB

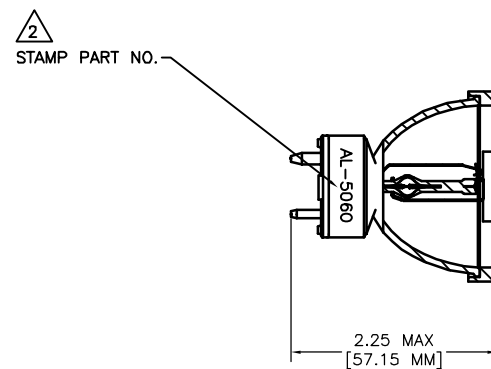


NOTES:

△ DATE CODE PERMANENTLY MARKED AND EASILY READABLE. TRACEABLE BACK TO ALL MANUFACTURING PARAMETERS.

△ ALL CHARACTERS TO BE WELL DEFINED AND LEGIBLE. INK TO BE PERMANENT, FAST-DRY. COLOR: BLACK

△ LAMP IS SPECIFIED IN HORIZONTAL ORIENTATION. LAMP MAY BE OPERATED IN OTHER ORIENTATIONS, ALTHOUGH SOME VARIATION IN PERFORMANCE MAY OCCUR.



MATERIAL:		FINISH:		QTY	QTY	QTY	QTY	ITEM OR SYMBOL	PART NUMBER	DESCRIPTION	
UNLESS OTHERWISE SPECIFIED: DIMENSIONS IN mm (WHEN USED) ARE IN ().		UNLESS OTHERWISE SPECIFIED DIMENSIONS ARE IN INCHES		504	503	502	501		LIST OF MATERIAL		
DIMENSIONS INCLUDE PLATING. REMOVE BURRS & SHARP EDGES. THREADS ARE UNIFIED SERIES AND INCLUDE PLATING: EXTERNAL THDS = CLASS-2 A INTERNAL THDS = CLASS-2 B		TOLERANCES ON:		APPROVAL SIGNATURES				WELCH ALLYN, INC. SKANEATELES FALLS, N.Y. U.S.A.			
BASIC DIMENSION		.XX		Drawn		date		Approved		date	
UP TO 6		± .02		BJT		3/27/01		J. ALLISANDRELLI		11/21/00	
6 TO 24		± .03		Checked		date		Quality		date	
ABOVE 24		± .06		D. BELL		11/6/00		E. WOONTON		11/27/00	
ANGLES: ± 1/2 DEGREE		DO NOT SCALE		Rel. for Prod.				date			
				D. RUTAN				11/27/00			
				TITLE:				50/60 WATT LAMP			
				DRAWING NO.				AL-5060-1 (C)			
				SCALE				1:1			
				PAGE				1 OF 1			